

National FM 2022

Avenches

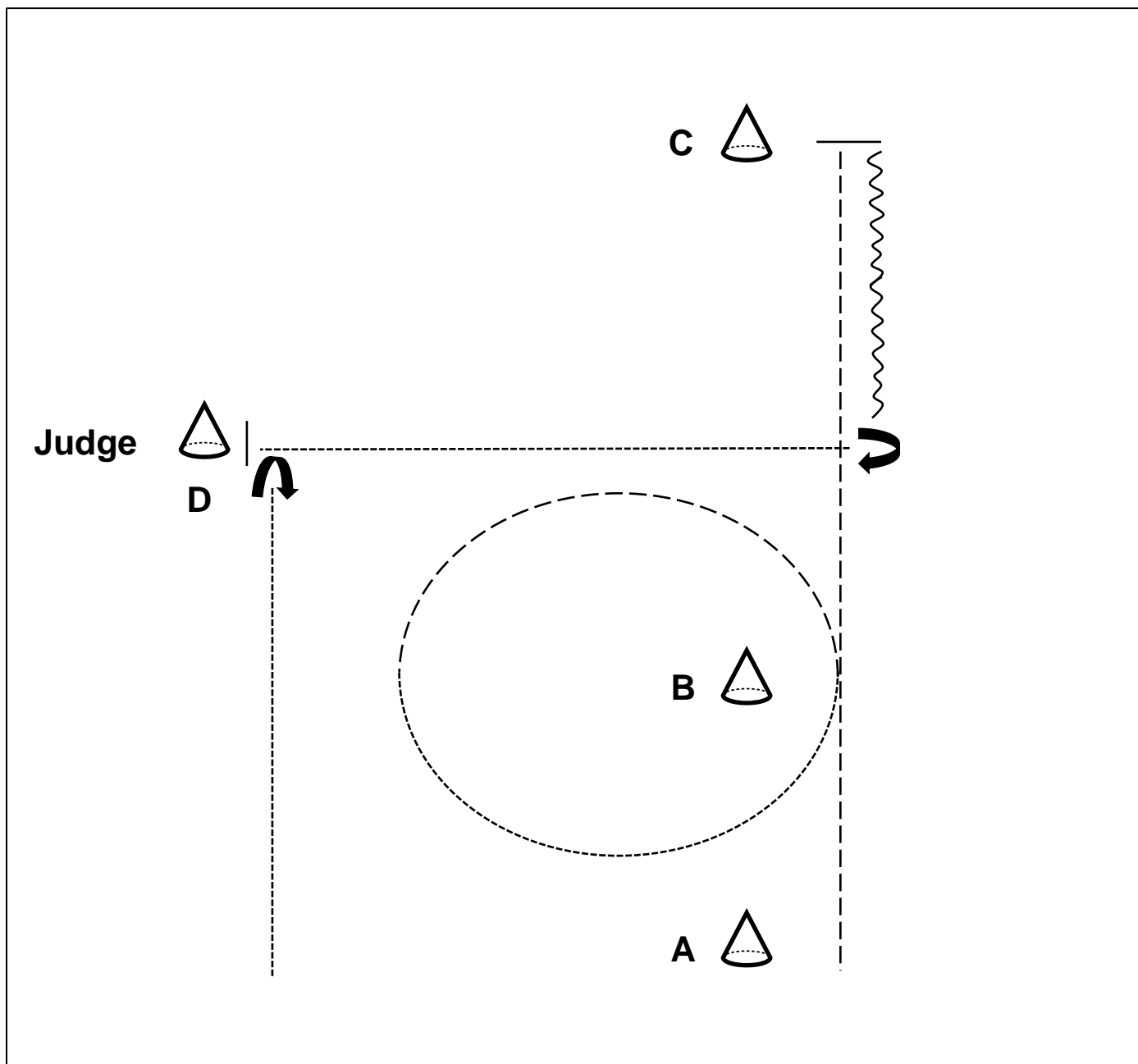


Pattern Book

Inhalt

FM Greenhorn/-horse Showmanship at Halter	3
FM Open Showmanship at Halter	4
FM Greenhorn/-horse Trail	5
FM Open Trail	6
FM Greenhorn/-horse Horsemanship	7
FM Open Horsemanship	8
FM Greenhorn/-horse Ranch Trail	9
FM Open Ranch Trail	10
FM Greenhorn/-horse Ranch Riding	11
FM Open Ranch Riding	12

FM Greenhorn/-horse Showmanship at Halter

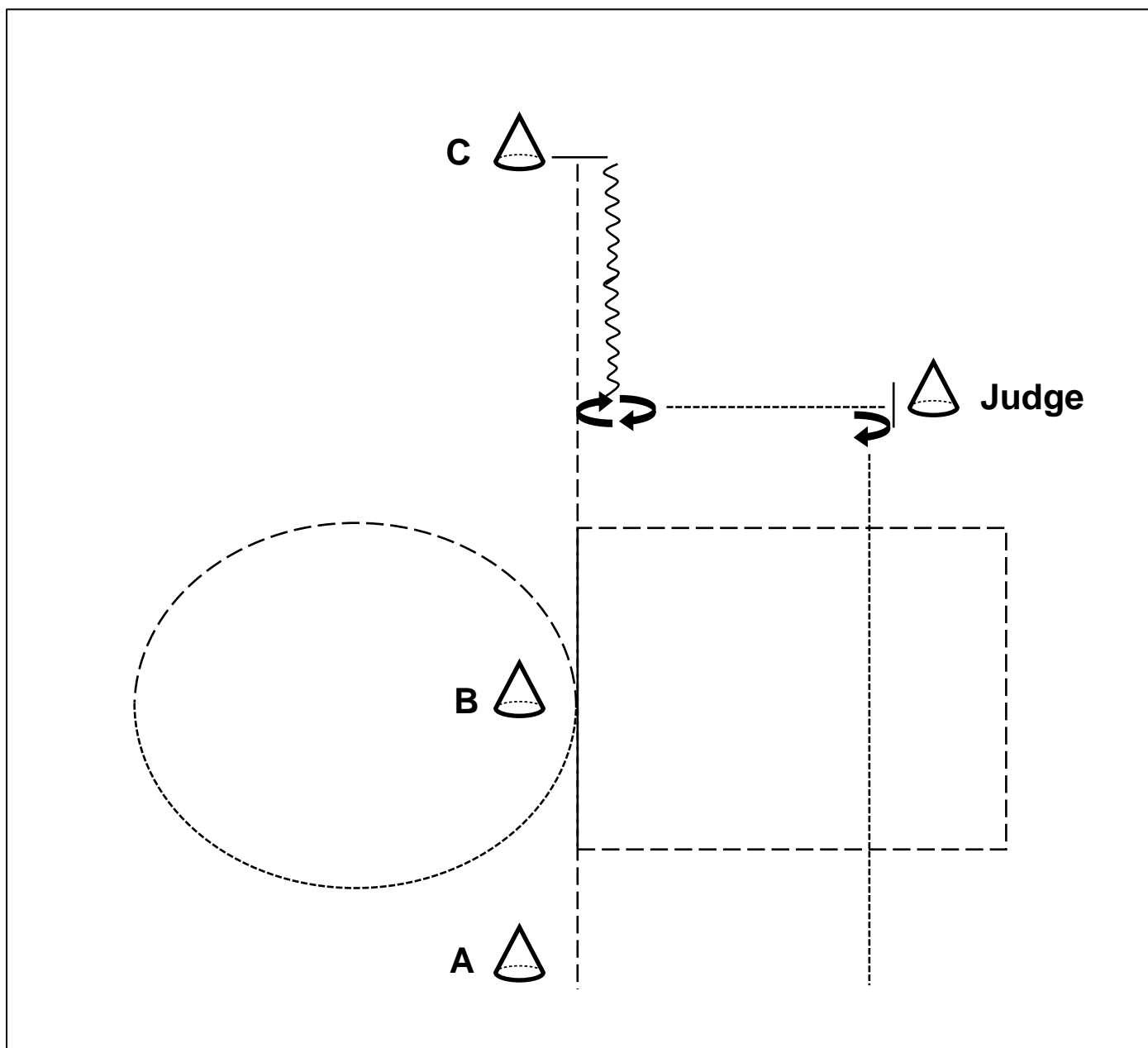


Be ready at A

1. Jog to B
2. Jog semicircle around B, walk semicircle and jog to C
3. C: stop, back up
4. 270° turn right
5. Walk to judge, set up
6. 270° turn right, walk

Legende:	
Schritt/Walk	-----
Trab/Jog	- - - - -
Galopp/Lope	=====
Rückwärts/Back up	~~~~~

FM Open Showmanship at Halter



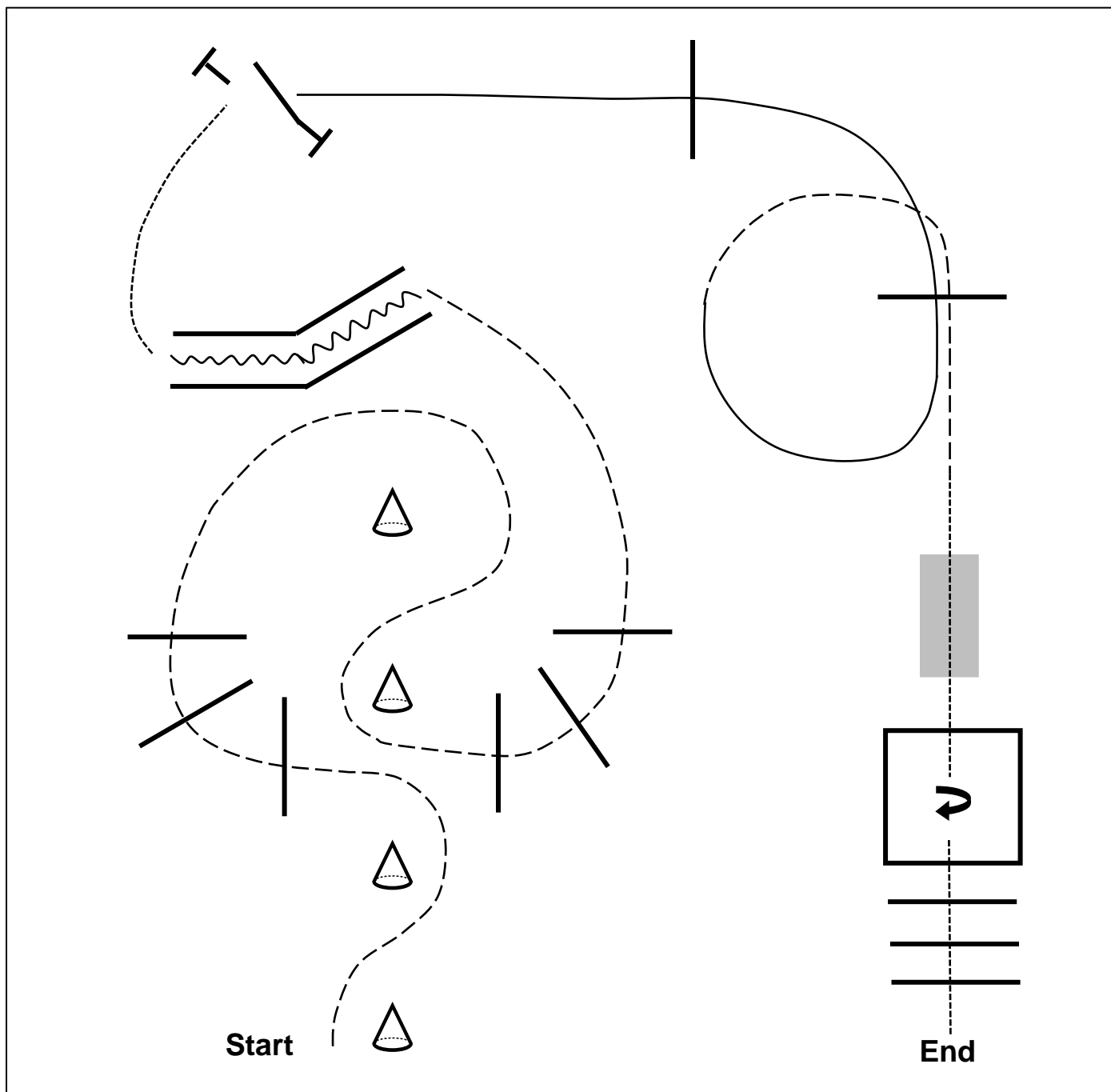
Be ready at A

1. Jog to B
2. Jog semicircle around B, walk semicircle to B
3. Jog corners
4. Jog to C, stop, back up
5. 450° turn right
6. Walk to judge, set up
7. 90° turn right, walk

Legende:	
Schritt/Walk	-----
Trab/Jog	- - - - -
Galopp/Lope	=====
Rückwärts/Back up	~~~~~



FM Greenhorn/-horse Trail

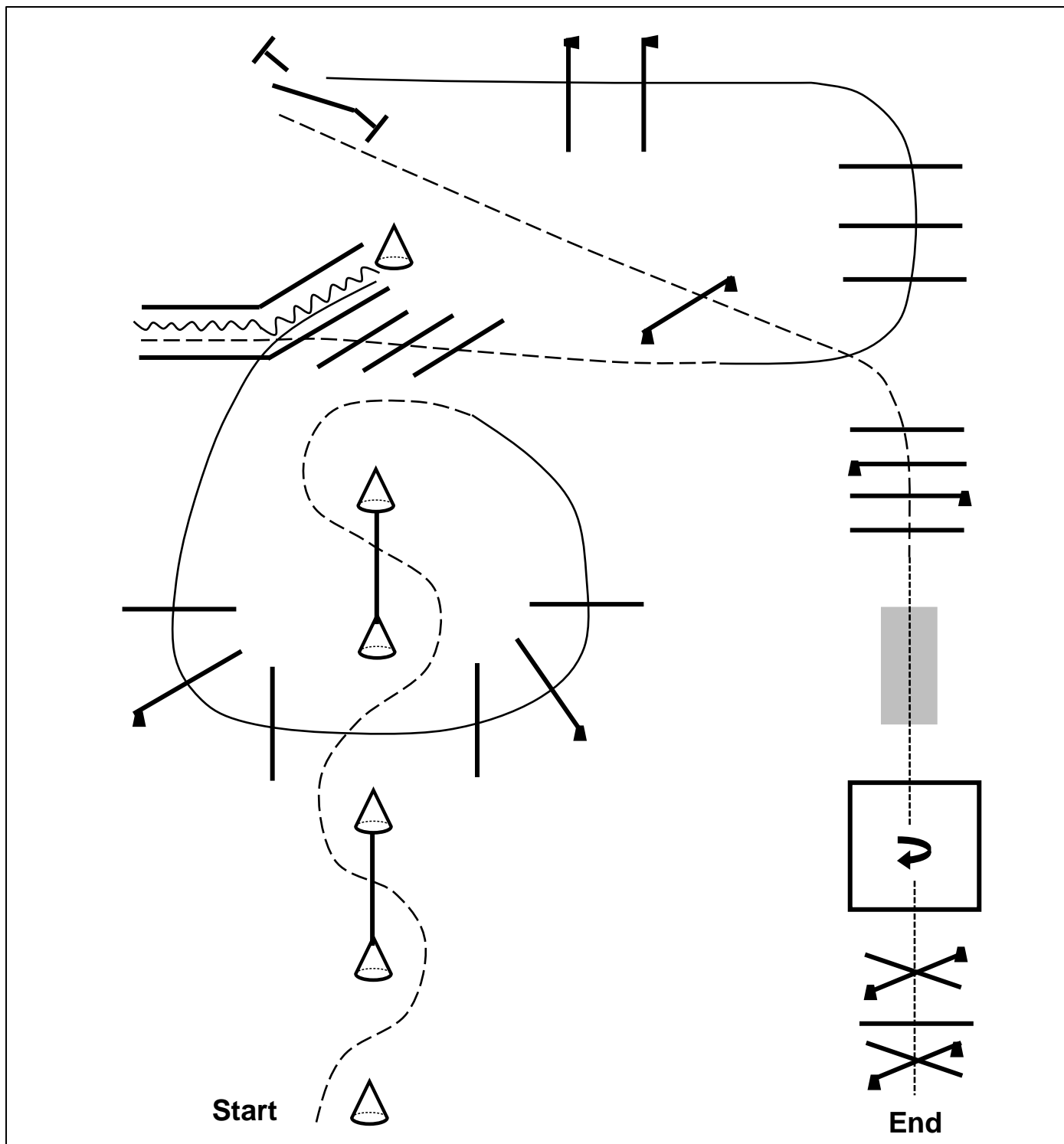


1. Jog serpentine and over poles
2. Jog serpentine and over poles
3. Back up through «V»
4. Walk
5. Gate
6. Lope right lead over poles, jog
7. Jog over pole
8. Walk over bridge in Box
9. Turn 360° either way
10. Walk over poles

Legende:	
Schritt/Walk	-----
Trab/Jog	- - - - -
Galopp/Lope	=====
Rückwärts/Back up	~~~~~



FM Open Trail



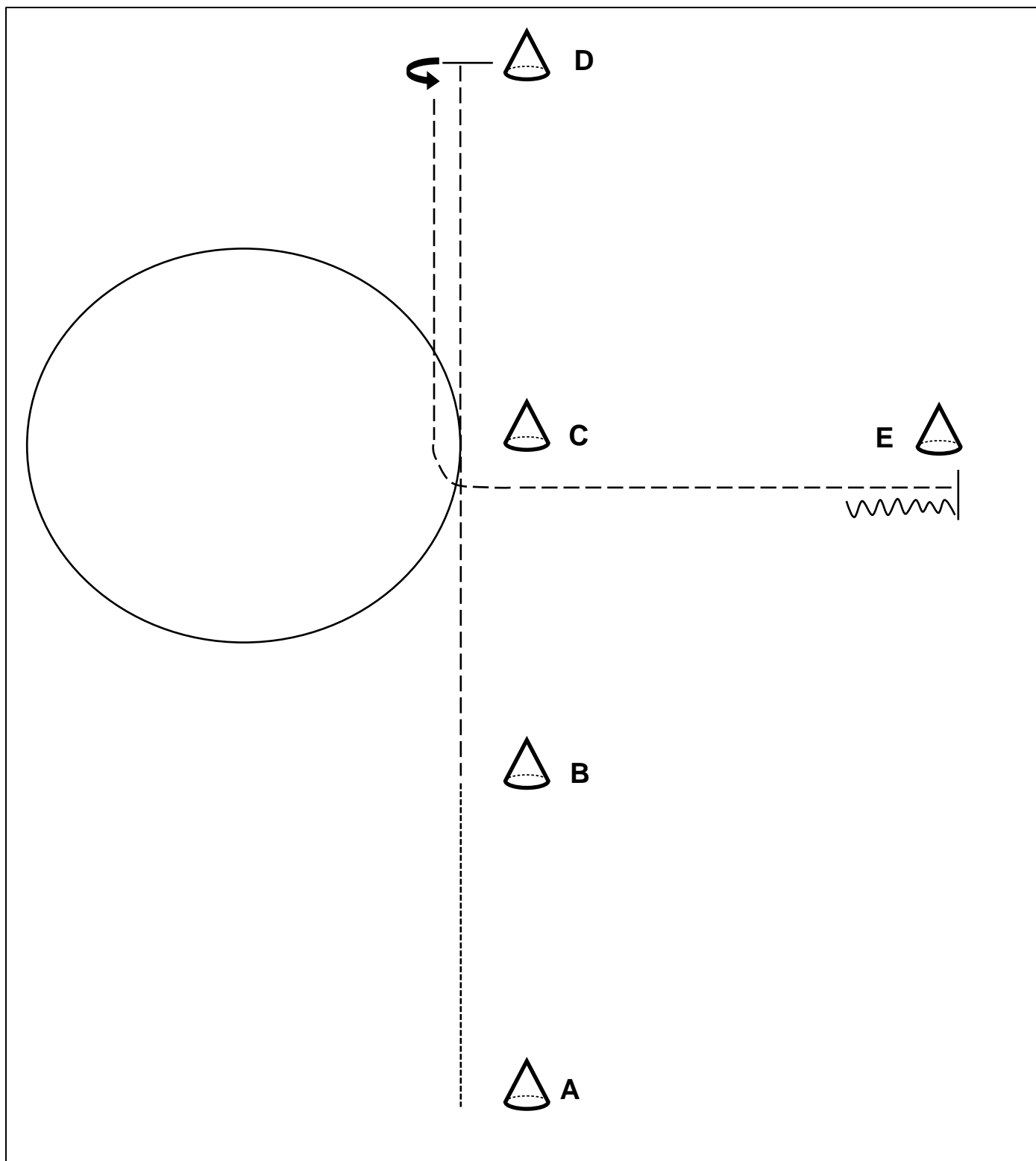
1. Jog serpentine and over poles
2. Lope right lead over poles into chute
3. Back up through « V »
4. Jog out and over poles
5. Lope left lead over poles, stop

6. Gate
7. Jog over poles
8. Walk over bridge in box
9. Turn 360° each direction, either way first
10. Walk over poles

Legende:	
Schritt/Walk	-----
Trab/Jog	- - - - -
Galopp/Lope	=====
Rückwärts/Back up	~~~~~



FM Greenhorn/-horse Horsemanship



Be ready at A

1. Walk to B
2. B: Jog to C
3. C: Lope circle left lead
4. C: Jog to D
4. D: Stop, 180° turn left
5. Jog around C to E
6. E: Stop, back up 1 horse length

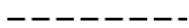
Legende:

Schritt/Walk

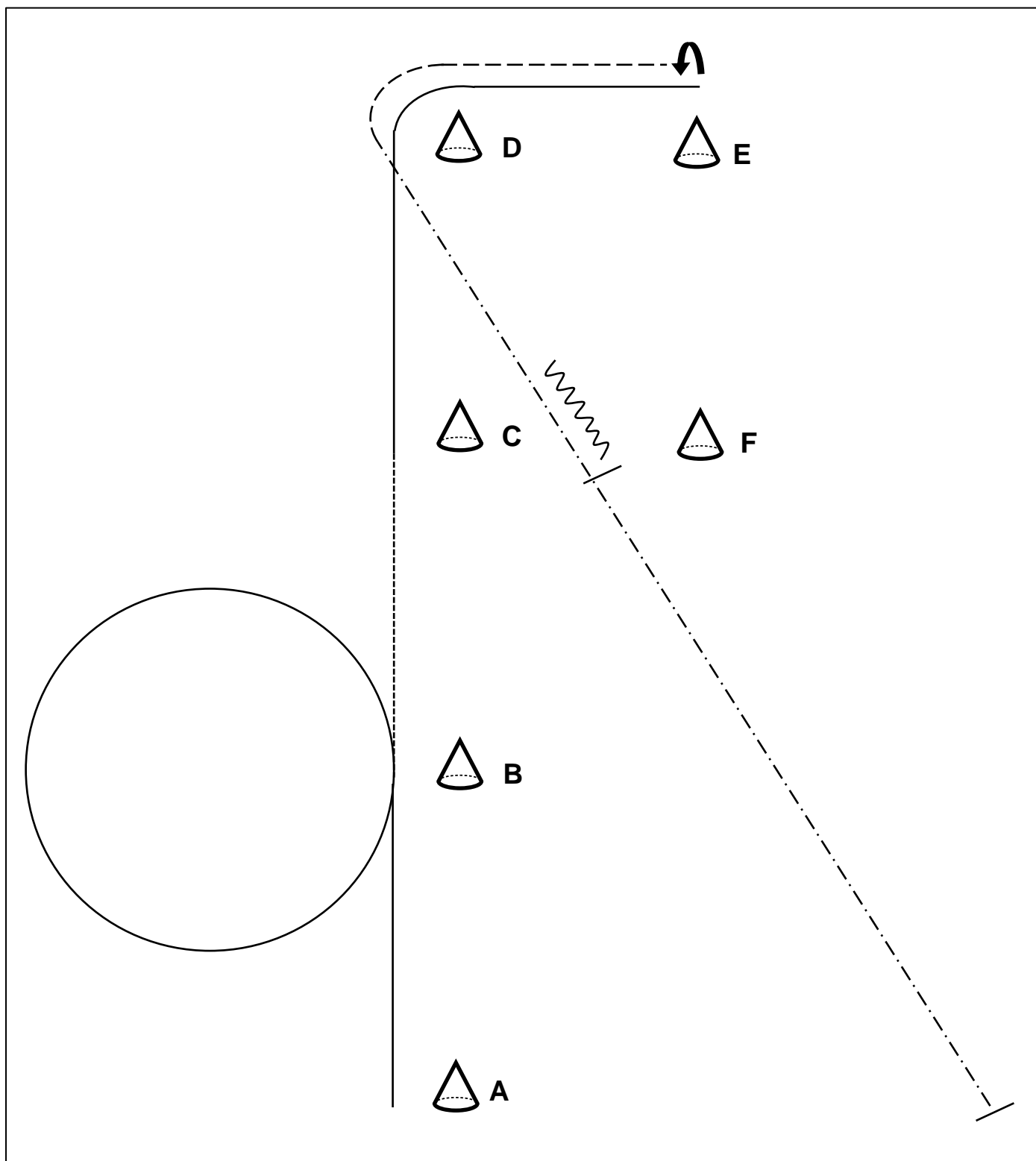
Trab/Jog

Galopp/Lope

Rückwärts/Back up



FM Open Horsemanship



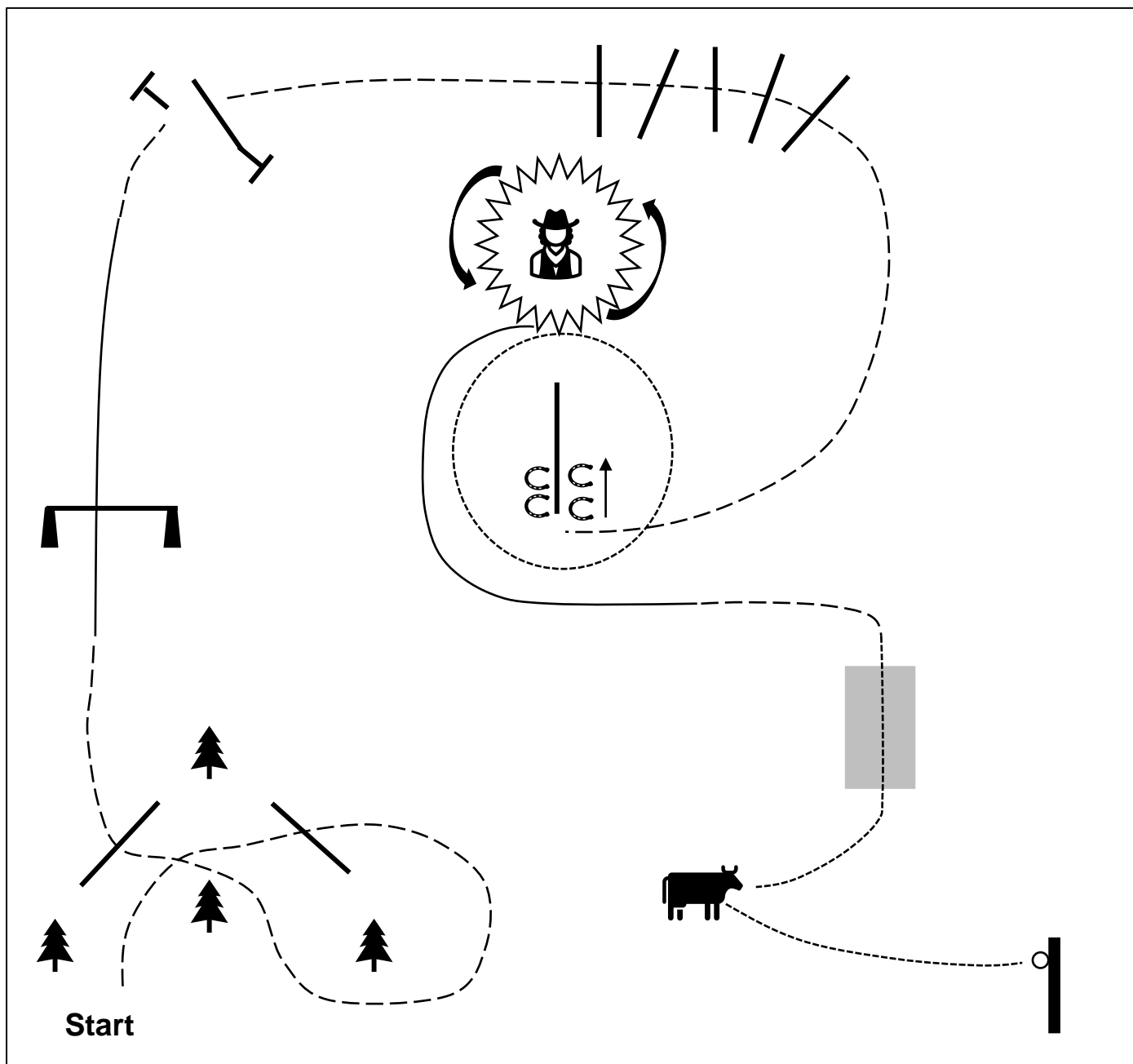
Be ready at A

1. Lope left lead to B
2. B: Lope circle
3. B: Walk, walk to C
4. C: Lope right lead around D to E
5. E: stop, 540° turn left
6. Jog around D
7. D: Extended jog to F
8. F: Stop, back up 1 horse length
9. Extended jog to corner

Legende:	
Schritt/Walk	-----
Trab/Jog	-----
Galopp/Lope	=====
Rückwärts/Back up	~~~~~



FM Greenhorn/-horse Ranch Trail

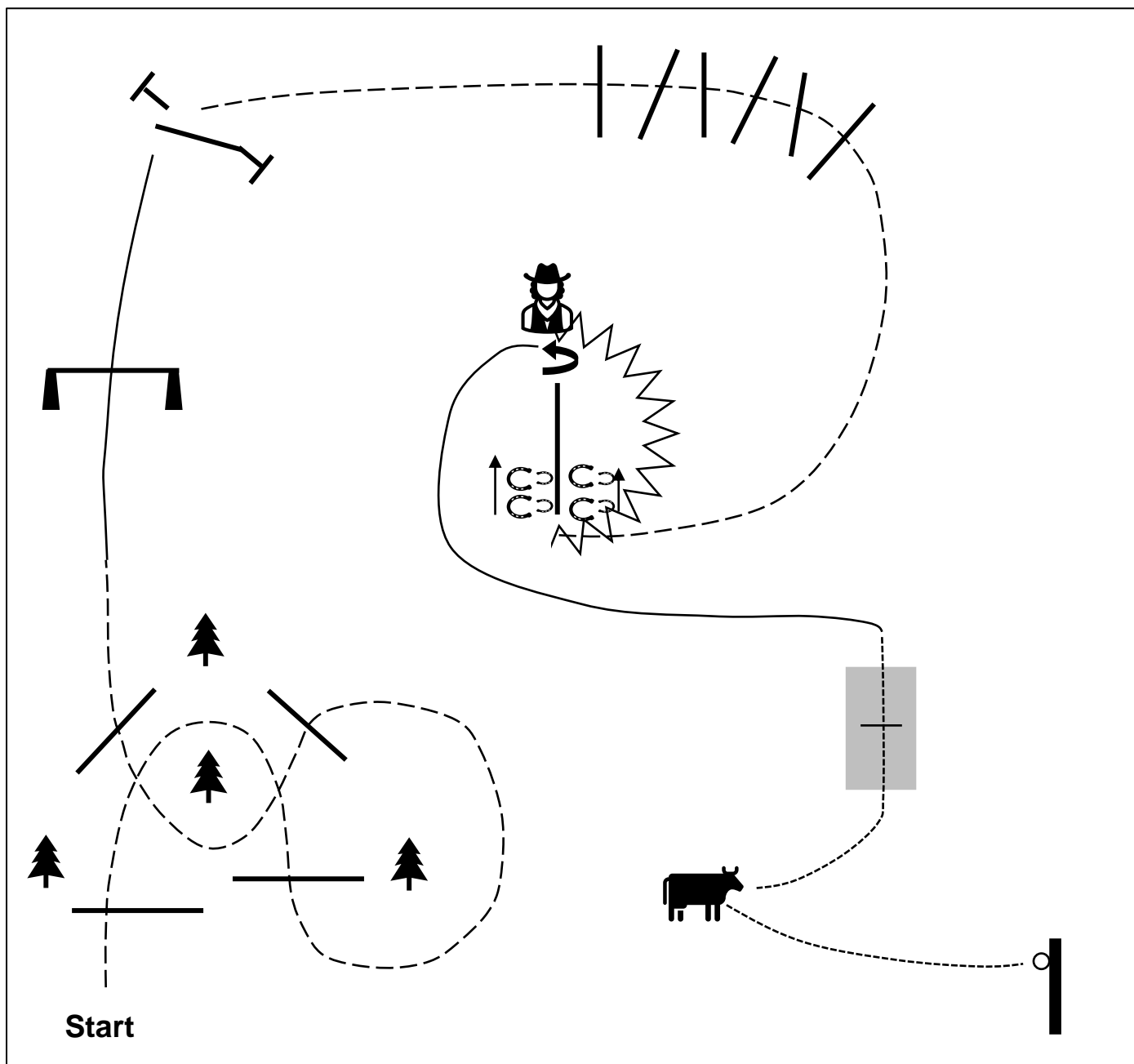


1. Trot over poles
2. Lope right lead, jump
3. Trot to Gate
4. Trot over poles
5. Sidepass right, back up around the bandit
6. Take the bandit and walk a circle around the pole, let the bandit go
7. Lope left lead, trot
8. Walk over bridge, stop and dismount
9. Lead the horse to the pet and take it for a walk
10. Tie the pet with a correct knot

Legende:	
Schritt/Walk	-----
Trab/Jog	- - - - -
Galopp/Lope	—————
Rückwärts/Back up	~~~~~



FM Open Ranch Trail

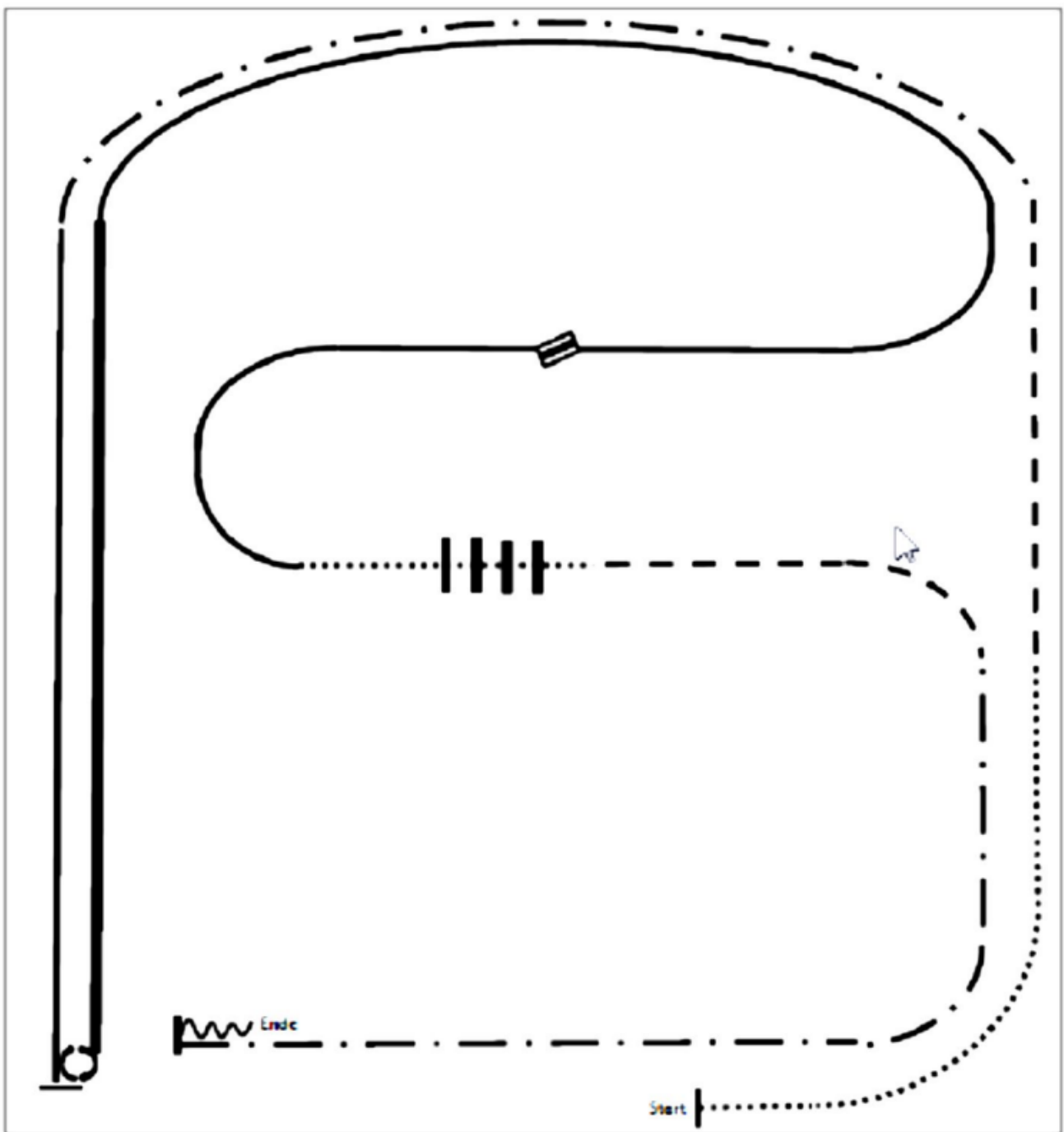


1. Trot over poles
2. Lope right lead, jump
3. Stop, pull gate
4. Trot over poles
5. Stop, sidepass right, take the bandit
6. Back up semicircle, sidepass left, let the bandit go
7. Turn 180° either way
8. Lope left lead
9. Walk over bridge, stop on the bridge and look for some pets, walk over bridge
10. Take the pet for a walk
11. Tie the pet with a correct knot

Legende:	
Schritt/Walk	-----
Trab/Jog	- - - - -
Galopp/Lope	=====
Rückwärts/Back up	~~~~~



FM Open Ranch Riding



- (1) Walk
- (2) Trot
- (3) Extended Trot
- (4) Linksgalopp
- (5) Stop, 540° Turn rechts
- (6) Extended Lope rechts
- (7) Rechtsgalopp
- (8) Galoppwechsel (fliegend oder einfach), Linksgalopp
- (9) Walk
- (10) Walk over
- (11) Trot
- (12) Extended Trot
- (13) Stop, Back up

